

LSC

LightSource Compact
Diesel Powered Portable Light Tower



Doosan Infracore
Portable Power

Your LightSource, now Compact!

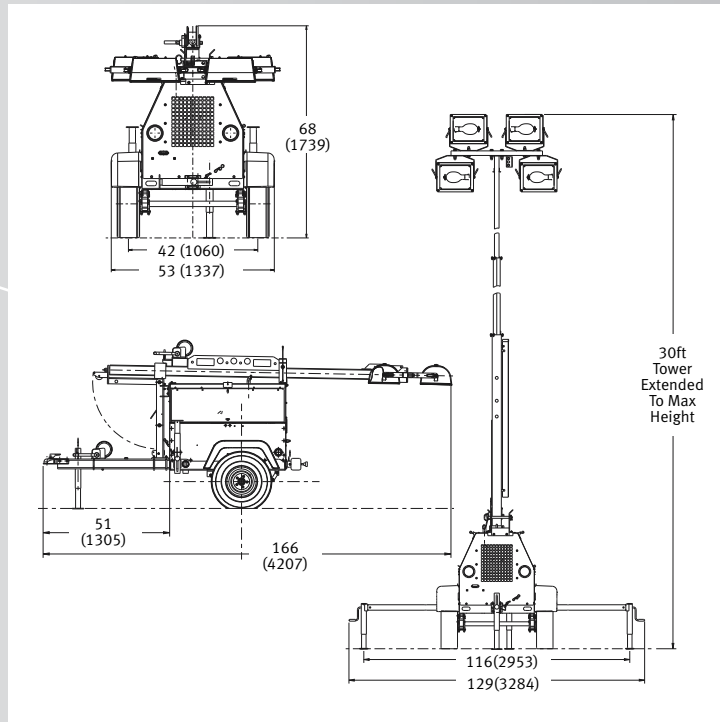
Introducing the new **LSC (LightSource Compact)** light tower from Doosan Portable Power designed with class-leading durability and reliability. The LSC features a compact platform for truckload maximization, cost-effective transportation, and jobsite mobility with 11 fully assembled units per flatbed. The four 1000 watt metal halide lights provide high quality light and optimal coverage. The easy to use tool-free aiming system allows for quick and efficient setup. For illumination of special events, road and bridge construction, emergency and disaster relief, and general construction sites, the LSC is the optimal light tower choice.

	Model	LSC
Engine	Make/Model	Mitsubishi/L3E
	Emissions Tier Level	Tier 4 Final (T4f)
	Number of Cylinders	3
	Displacement – cu in (L)	58 (0.95)
	Power @ Rated Speed – (kW) @ 1800 rpm	10.5 (7.8)
	Cooling System	Water
	DC System Voltage/ Battery Capacity	12 V/520 CCA
	Fuel Type	Diesel
	Usable Fuel Capacity - gal (L)	27 (102)
	Runtime with 4 lights - hr	52
Generator	Prime Power Rating, 60 Hz, 1.0 PF	4.5 kW
	Available Voltages – Single-Phase	120
Receptacles & Lights	120 V GFCI Duplex (NEMA 5-20R)	(1) 20 amp
	Number of Lights – Watts	4 x 1000
	Type of Lights	Metal Halide
Dimensions & Weight	Length with Drawbar – in (mm)	166 (4207)
	Width with Fenders – in (mm)	53 (1337)
	Track Width – in (mm)	42 (1060)
	Height in Travel Position – in (mm)	68 (1739)
	Tower Height – ft (m)	30 (9)
	Shipping Weight – lb (kg)	1475 (669)
Operating Weight – lb (kg)	1650 (748)	

Features

- Superior strength and robustness for towing and operation stability provided by the 7-gauge steel frame with integrated towbar
- Able to withstand 65-mph winds with 4-point outrigger and jack system fully deployed
- Trailer equipped standard with DOT full running light package, 13” tires, 2” ball hitch, four tie-downs, zinc coated chains, license plate holder with light, and VIN number for towing safety and compliance
- Fully galvanized steel tower and galvanized enclosure for rust resistance and enhanced corrosion protection
- Telescoping mast with 360° rotation and position lock extends from 12’ – 30’ with dual, hand-operated winches and automatic safety brake
- Curly cord protection within steel shroud along the first section of tower to prevent pinch or puncture damage
- Four 1,000-watt metal halide lamps in cast aluminum housings for added durability, brighter and wider coverage area, and even light distribution
- Automatic protective shutdowns for high engine coolant temperature and low engine oil pressure
- Industry-leading factory warranty providing 2-year/2,000-hour bumper-to-bumper coverage

Dimensions



LSC options

- Dual electric winches with automatic safety stop
- Low fuel shutdown with indicator light
- Block heater
- Hitches: Combo 2.5” pintle eye and 2” ball; 3” pintle eye



Product improvement is a continuing goal at Doosan Infracore Portable Power. Designs and specifications are subject to change without notice or obligation. Nothing contained in this brochure is intended to extend any warranty or representation, expressed or implied, regarding the products described herein. Any such warranties or other terms and condition of sales shall be in accordance with standard Doosan Infracore Portable Power terms and conditions of sale for such products, which are available upon request.



Doosan Infracore
Portable Power

(800) 633-5206

doosanportablepower.com