



Bobcat®

BACKHOE LOADERS
B750



One Tough Animal™

B750 — SPECIFICATIONS

Engine

Make / Model	Perkins / 1104C-44T
Compliance	EU Stage II and EPA Tier 2
Aspiration	Turbocharged
Number of cylinders	4.0
Displacement	4.40 L
Rated gross power (ISO 14396)	74.5 kW
Rated gross power (ISO 14396)	100.0 HP
Rated speed	2200.0 RPM
Maximum torque @1350 RPM	408.0 Nm
Fuel	Diesel
Cooling	Water

Electrical System

Battery	12 V 120 Ah
Starter	3.2 kW

Transmission

Make / Model	ZF
Type	Powershift
Max travel speed 1st forward/reverse	6.5/7.0 km/h
Max travel speed 2nd forward/reverse	11.0/12.0 km/h
Max travel speed 3rd forward/reverse	26.0/30.0 km/h
Max travel speed 4th forward/reverse	40.0/0.0 km/h

Front Axle

Make	ZF
Type	4WD
Limited slip	Standard
Oscillation	20.0°

Rear Axle

Make	ZF
Differential lock	Standard

Hydraulic System

System type	Open centre
Pump	Tandem gear pump
Flow	90.0 + 64.0 L/min
System pressure	220.00 bar
Controls, backhoe	Hydraulic joysticks
Controls, loader	Hydraulic joystick

Steering

Type	2WS
Turning circle (unbraked), outside front tyres	12170.0 mm
Turning circle (unbraked), outside loader bucket	14600.0 mm

Brakes

Service type	Hydraulic wet multi disc, dual pedal braking
Parking type	Mechanical control on rear axle

Operating Weights

Base machine	8000 kg
--------------	---------

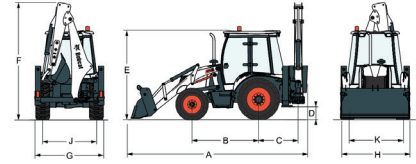
Tyres

Make	Michelin
4WD front	14.5-20
Rear	16.9-28

Standard Features

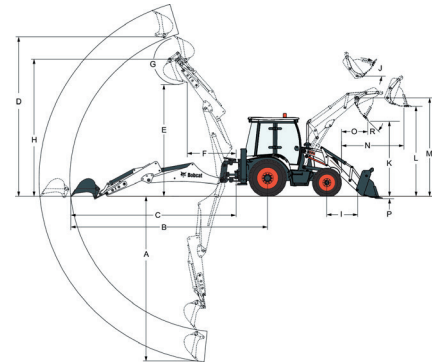
ROPS/FOPS Enclosed cab	Side storage
Mechanical suspension seat with seat belt	Exterior mirrors
Arm rest	Radio/CD player
Headrest	Rotating beacon
Sunvisor	Horn
Floor mat	Reverse alarm
Tilted steering column	Heater
Steering wheel knob	Rear windscreen heater
Tinted front windscreen and wiper	600 mm backhoe bucket
Tinted rear windscreen and wiper	Fully equipped dashboards
6 work lights (2 front, 4 rear)	General purpose loader bucket

Dimensions



(A)	6100.0 mm	(F)	3900.0 mm
(B)	2180.0 mm	(G)	2280.0 mm
(C)	1300.0 mm	(H)	2280.0 mm
(D)	400.0 mm	(J)	1770.0 mm
(E)	2900.0 mm	(K)	1820.0 mm

Working range



(Retracted/Extended)			
(A)	4600/5800 mm	(J)	59.2°
(B)	7000/8100 mm	(K)	2950.0 mm
(C)	5700/6800 mm	(L)	3370.0 mm
(D)	5600/6450 mm	(M)	3670.0 mm
(E)	3850/4700 mm	(N)	1125.0 mm
(F)	1800/2650 mm	(O)	685.0 mm
(G)	200.4/200.4 °	(P)	113.0 mm
(H)	4750/5550 mm	(R)	45.0°
(I)	1460.0 mm		

Loader Performance

Bucket capacity, GP	1.10 m ³
Breakout force, bucket	81.60 kN
Breakout force, arm	56.10 kN
Rated operating capacity at max height	3178 kg

Backhoe Performance

Bucket capacity	0.20 m ³
Bucket tearout	59.10 kN
Dipper tearout retracted	31.80 kN

Options

Air conditioning	Ride Control
------------------	--------------

Optional Attachments

Backhoe	
Hammer piping	
Different sizes of backhoe buckets	
Hydraulic hammer	
Extendable boom	
Loader	
6 in 1 loader bucket	
Pallet forks	



www.bobcat.eu

DI CE - Drève Richelle 167 - B-1410 Waterloo, Belgium